



IP-HD Thermal Long Range PTZ Speed Dome Series

Model: **iV-TH-PTZMLZ-120X-XT-iP4-V2**



iV-Pro Model: iV-TH-PTZMLZ-120X-XT-iP4-V2 is a Outdoor Thermal 4 Megapixel 1580p Full iP-HD Long range PTZ Security Camera with the next generation Sony 335 Starlight HD Series image processing solution engineered to provide extremely crisp and clear images at minimal bandwidth. It is integrated with high focus optical zoom with defog functions, passive infrared image detector and high precision 360°panoramic controls along with double spectral and 24 hours visible monitoring under low illumination, even with bad haze weather at night. The machine body adopts high strength anti-vibration alloy die-casting shell, anti-spraying, thermal insulation, high/cold temperature resistance, impact and corrosion resistance military grade design. This is a non PoE Thermal technology camera with dual lens, with multiple views at the same time of Day and Thermal Vision.

Features

- 4 Megapixel 1580p HD Resolution with Smart Thermal up to 20KM
- Long range with up to 30KM day time detection and 20KM Thermal
- Latest Generation Uncooled Vox Thermal Core 640X512 Pixels
- High Speed 360 degree with 120X Optical and 30-200mm 7X Thermal Lens
- Plug and Play ONVIF profile Compatible with iV-Pro's range of NVRs
- Long range of Vehicle and Human Detection with SD Card Storage
- Outdoor T type Shock absorption Dual spectral all-weather Camera
- Military grade module design structure with bracket for Outdoor use



Technical Specifications:

Model	Model No.	IV-PTZMLZ-120X-XT-iP4-V2
	Type	Remotely Multi-spectral Outdoor Heavy Duty All-in-one Network Camera
Camera Module	Sensor	Sony IMX 335 High Performance Chipset
	Camera Module	120X Optical 9-950mm Zoom and 7X 30-200mm Thermal Zoom
	Focal Length	9-950mm Day Time, 30-200mm Night Thermal
	Resolution	Full HD/1080P, 4MP 1580p
	Frame Rate	25/30fps
	Min. illumination	Color: 0.5 Lux @(F1.5,AGC ON), ICR ON B/W: 0.2 Lux @(F1.5,AGC ON), ICR OFF
	WDR	Supported
	Day/Night Mode	Automatic/Color/B&W
	3D DNR	Digital DNR
	Focus Model	Auto Focus AF, ZF (Zoom Trigger AF), Manual Focus(MF)
	Defog	Electronic Defog
	4A Auto Control	Auto White Balance, Auto Gain Control, Auto Exposure, Auto Iris Correction (AWB/AGC/AE/AIC)
	BLC	Supported
	HLC	Supported
Video	Video Compression	H.265+ / H.264 / MJPEG
	Audio Compression	None
Resolution	Max. Resolution	Visible Light: Full HD/1080P(1920x1080), Full HD/4MP 1580p (1920x1580)
	Image Effects	Rotation, Mirror and Self-defined Image Mode
	OSD	Multiple Zone Smart OSD, Support Multi-line Characters, Font Size, Color, Location can be Customized
	3D Position Control	Draw the Areas through by mouse, Auto Focus to CFOV
Thermal	Sensor Type	Latest Gen. Uncooled Vox Thermal Core
	Thermal Lens	30-200mm 7X Optical with 8X Digital Zoom
	Image Process	Digital Detail Enhancement (DDE)
	Spectral Band	7.5 ~ 13.5µm
	Pseudo Color	White, hot-black, hot-Bright, Medical-Steel, Arctic-Rainbow
	Field of View	2.3°x 1.7° ~ 23.5° x 19.1°
Pan & Tilt	Horizontal Range	360°Continuous Rotation
	Horizontal Speed	Horizontal Keyboard Control: 0°~12°/s
	Vertical Range	-45°~+70°
	Vertical Speed	Vertical Keyboard Control: 0°~8°/s
	Preset	300
	Preset Stop Accuracy	±0.1Degree
	Preset Cruise	8 Cruise Groups(Support to Add 32 Presets for Each Group)
	Pattern Scan	8 self-learning path, with speed memory, each path can be recorded for 10 minutes
	Two Points Scan	4 Paths, Available to Set the Position and Speed of Scanning
	3360° Scan	1 Path, Available to Set the Speed of Rotation
	Horizontal/Vertical Scan	4 Paths, Available to Set Independently the Speed of Rotation
	Azimuth Angle	Supported
	Power off Memory	Supported
	Wiper	Supported, Optional
	Remotely Restart	Support Camera/PTZ

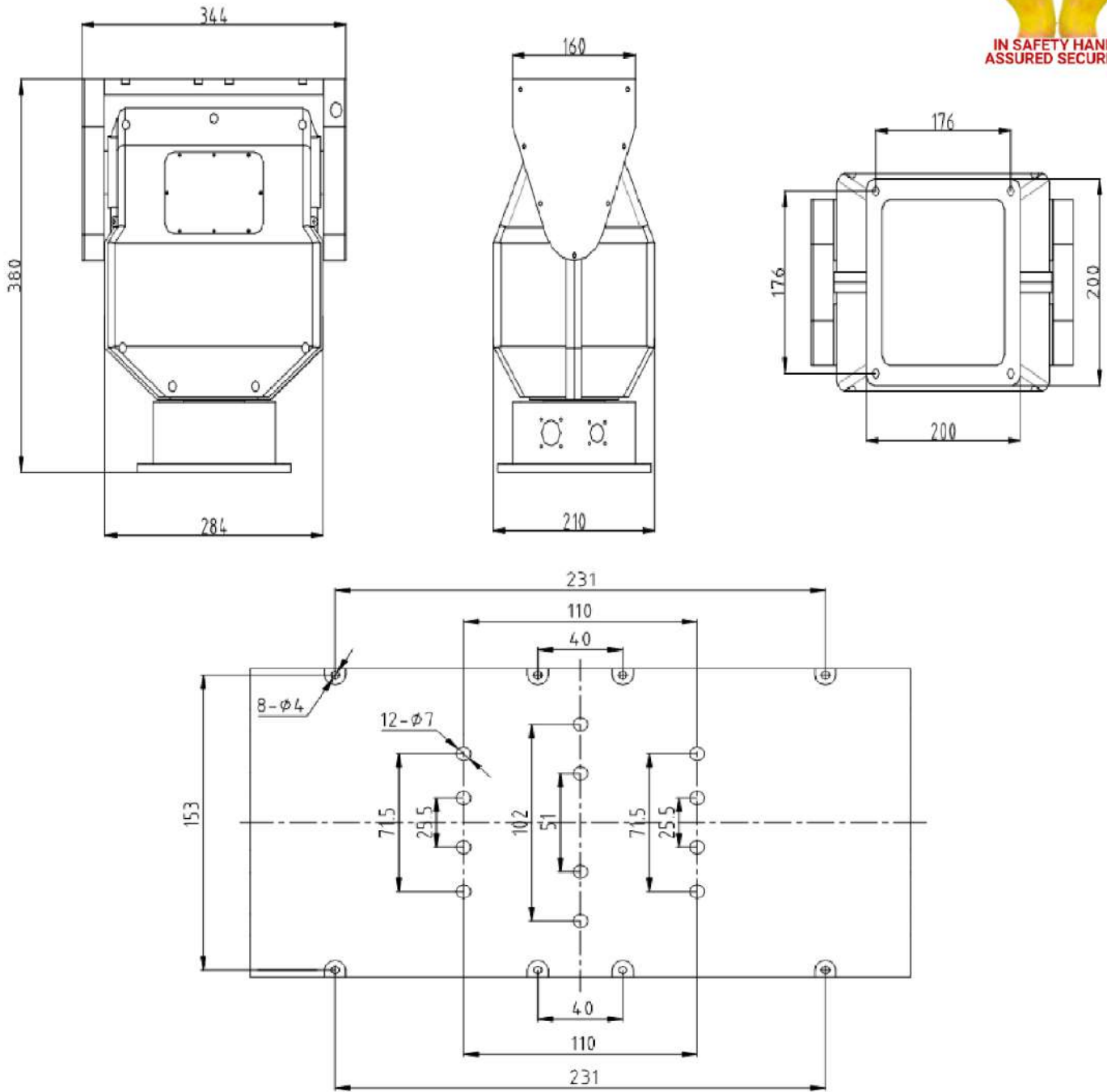
Intelligent Functions	Fire Detection	Not Supported
	Temperature Anomaly Alarm	Not Supported
	Intelligent Tracking	Event Tracking, Panoramic Tracking
	Intelligent Detection	Intelligent motion detection, sensor linkage, area intrusion detection, cross-border detection, entry area detection, exit area detection, etc. with NVR
	Defog	Auto Supported
	Intelligent Encoding	Support Low Code Rate, Low Delay Adaptive Encoding
	ROI Dynamic ROI	Dynamic ROI Setting, Support to Set Fixed Area or Dynamic Tracking Separately
	Intelligent Alarm	Network Disconnection Detection, IP Conflict Detection, SD Card Storage Detection, Storage Space Detection
	Timing Cruise	Timing Invoke Preset, Pattern Scan Path, Preset Cruise Grouped
	Watch Function	Return to the Specified Preset Point after the Specified idle State time, Support preset, Track, Horizontal Scan
	3D Position	Supported with Controller
	Long Focus Speed Limit	PTZ Rotation Speed depends on the Optical Zoom Adjustment, Limit the speed rate of PTZ control when the Lens zoom to Long Focus
Other	One Key to Restore Factory Settings, Anti-flicker, Triple code Stream, Heartbeat ,Image Rotation, Privacy Mask, Watermark, Access setting	
Network	Protocol	IPv4、TCP/IP、UDP、HTTP、DHCP、RTP/RTCP、FTP、UPnP、DDNS、NTP、IGMP、ICMP
	Compatible	ONVIF, GB/T 28181
	Security Mode	Password Protection, Multilevel users access
	User Maintenance	Remote Maintenance can be Achieved Through Network Remote Upgrade
	Log Management	Support Log Management, Provides Operational Logs, Alarm Logs, The Records of Wrong Log and Query
Interface	API Integration	Support micro SDHC/SDXC、TF off line storage(optional), Video Clip and Snapshot(optional), Platform support events recording ,second intelligent retrieval and Analysis .
	Communication Port	1 个 RJ45 10M/100M Self - adaptive Ethernet port, dual - channel fusion single IP output
	Video Output	1.0V[p-p] / 75Ω, BNC
	Audio Input	None
	Audio Output	None
	Alarm Input	1CH (4CH Input Optional)
	Alarm Output	1CH (8CH Input Optional)
General	Storage Port	Built-in Micro SD Slot, Support Micro SD/SDHC/SDXC
	Working Temperature	-35°C~+65°C
	Environment Humidity	< 90%RH (No Condensation)
	Static/Surge Protection	TVS6000V Lightning Protection and Surge Protection, Comply with GB/T17626.5 Standard
	PTZ Protection Level	IP67
	Power Supply	AC24V
	Watts	Normal Operation≤150W
	Dimension(mm)	Pan&Tilt: L344 x W284 x H380
Thermal Detection	Weight	Approximate 45-55Kg
	Detection range	Vehicle Detection - 20KM, Human Detection - 15KM
	Recognize range	Vehicle Recognize - 15KM, Human Recognize - 9KM
Daytime Detection	Identify range	Vehicle Identification - 10KM, Human Identification - 5KM
	Detection range	Vehicle Detection - 30KM, Human Detection - 18KM
	Recognize range	Vehicle Recognize - 16KM, Human Recognize - 10KM
	Identify range	Vehicle Identification - 11KM, Human Identification - 7KM

Thermal Images:





Dimensions Diagram:



ULTRA TECH SECURITY SOLUTIONS

No. 5, G.V.D. Layout, Opp. St., to Chinmaya Vidyalaya, Subramaniya Puram, Coimbatore - 641002.
(Near Nehru Vidyalaya, Robertson Road, R.S.Puram)

E-mail: ultratech.securitysolutions@hotmail.com // ultratechmahaveeerjain@gmail.com

Website: www.ultratechsecuritysolutions.com

PH: +91-9443066502 / 9042066502, 0422-3520193

GSTIN NO : 33AAJP1987E1ZQ



NO.1, EXPERTS IN METAL DETECTORS & CCTV IN SOUTH INDIA