



# IP-HD Thermal Long Range PTZ Speed Dome Series

Model: **iV-TH-PTZMLZ-26X-SE-T25-iP3**



**iV-Pro Model:** iV-TH-PTZMLZ-26X-SE-T25-iP3 is a Outdoor Thermal 2 Megapixel 1080p Full iP-HD Long range PTZ Security Camera with the next generation Sony 323 Starlight HD Series image processing solution engineered to provide extremely crisp and clear images at minimal bandwidth. It is integrated with high focus optical zoom with defog functions, passive infrared image detector and high precision 360°panoramic controls along with double spectral and 24 hours visible monitoring under low illumination, even with bad haze weather at night. The machine body adopts high strength anti-vibration alloy die-casting shell, anti-spraying, thermal insulation, high/cold temperature resistance, impact and corrosion resistance military grade design. This is a non PoE Thermal technology camera with dual lens, with multiple views at the same time of Day and Thermal Vision.

## Features

- 2 Megapixel 1080p HD Resolution with Smart Thermal up to 3KM
- Long range with up to 2KM day time detection and 3KM Thermal
- Latest Generation Uncooled Vox Thermal Core 400X300 Pixels
- High Speed 360 degree with 26X Optical and 25mm Fixed Thermal Lens
- Plug and Play ONVIF profile Compatible with iV-Pro's range of NVRs
- Long range of Vehicle and Human Detection with SD Card Storage
- Outdoor T type Shock absorption Dual spectral all weather Camera
- Military grade module design structure with bracket for Outdoor use



## Technical Specifications:

|                      |  |   |
|----------------------|--|---|
| Model                | <b>Model No.</b>   | <b>iv-TH-PTZMLZ-26X-SE-T25-IP3</b>  |
|                      | Type   | Outdoor T Style Double Spectral All-in-One Network IP camera  |
| Camera Module        | Sensor   | Sony 335 Starlight High Performance Chipset   |
|                      | Camera Module  | 26X Optical Lens 5mm~130mm, 25MM Thermal Fixed Lens   |
|                      | Resolution   | Full HD/1080p   |
|                      | Frame Rate   | 25/30fps  |
|                      | Min. illumination  | Color: 0.002Lux @(F1.5,AGC ON), ICR ON B/W: 0.0001 Lux @(F1.5,AGC ON), ICR OFF                                |
|                      | WDR  | Supported   |
|                      | Day/Night Mode   | Automatic/Color/B&W   |
|                      | 3D DNR   | Digital DNR   |
|                      | Focus Model  | Auto Focus AF, ZF (Zoom Trigger AF), Manual Focus(MF)   |
|                      | Defog  | Electronic Defog  |
|                      | Control  | Auto White Balance, Auto Gain Control, Auto Exposure, Auto Iris Correction (AWB/AGC/AE/AIC)                   |
|                      | BLC  | Supported   |
|                      | HLC  | Supported   |
|                      | Video Compression  | H.265+ / H.264 / MJPEG  |
| Video                | Audio Compression  | None  |
|                      | Resolution   | Color: Full HD/1080P  |
|                      | Image Effects  | Rotation, Mirror and Self-defined Image Mode  |
|                      | OSD  | Multiple Zone Smart OSD, Support Multi-line Characters, Font Size, Color, Location can be Customized with NVR |
|                      | 3D Position Control  | Draw the Areas through by mouse, Auto focus to CFOV   |
| Pan & Tilt           | Horizontal Range   | 360°Continuous Rotation   |
|                      | Horizontal Speed   | Horizontal Keyboard Control: 0°~80°/s   |
|                      | Vertical Range   | -90°~+90°   |
|                      | Vertical Speed   | Vertical Keyboard Control: 0°~60°/s   |
|                      | Preset   | 300   |
|                      | Preset Stop Accuracy   | ±0.01 Degree  |
|                      | Preset Cruise  | 8 Cruise Groups(Support to Add 32 Presets for Each Group)   |
|                      | Pattern Scan   | 8 self-learning path, with speed memory   |
|                      | Two Points Scan  | 4 Paths, Available to Set the Position and Speed of Scanning  |
|                      | 360°Scan   | 1 Path, Available to Set the Speed of Rotation  |
|                      | Horizontal/Vertical Scan   | 4 Paths, Available to Set Independently the Speed of Rotation   |
|                      | Azimuth Angle  | Not Supported   |
|                      | Power off Memory   | Supported   |
| Thermal              | Wiper  | Optional Supported  |
|                      | Remotely Restart   | Optional Supported  |
|                      | Communication  | Pelco D & Pelco P; Baud Rate from 2400bps to 19200bps for optical, RS485 control                              |
|                      | <b>Sensor Type</b>   | <b>Latest Gen. Uncooled Vox Thermal Core</b>  |
|                      | <b>Thermal Lens</b>  | <b>0.162mrad (25mm lens)</b>  |
| <b>Image Process</b> | <b>Digital Detail Enhancement (DDE)</b>                            |   |
| <b>Spectral Band</b> | <b>7.5 ~ 13.5μm</b>  |   |
| <b>Pseudo Color</b>  | <b>White, hot-black, hot-Bright, Medical-Steel, Arctic-Rainbow</b> |   |

|                   | <b>Defog</b>            | <b>Supported</b>   |
|-------------------|-------------------------|--|
|                   | Field of View           | 28 degrees x 23 degrees  |
|                   | Dynamic ROI             | Dynamic ROI Setting, Support to Set Fixed Area or Dynamic Tracking Separately  |
|                   | Intelligent Alarm       | Network Disconnection Detection, IP Conflict Detection, SD Card Storage Detection, Storage Space Detection with NVR  |
|                   | Timing Cruise           | Timing Invoke Preset, Pattern Scan Path, Preset Cruise Grouped   |
|                   | Watch Function          | Supports return to the Specified Preset Point After the Specified idle State time, Support preset, Track, Horizontal Scan  |
|                   | 3D Position             | Supported  |
|                   | Long Focus Speed Limit  | PTZ Rotation Speed depends on the Optical Zoom Adjustment, Limit the speed rate of PTZ control when the Lens zoom to Long Focus  |
|                   | Other                   | One Key to Restore Factory settings, Anti-flicker, Triple code Stream  |
|                   | Protocol                | IPv4、TCP/IP、UDP、HTTP、DHCP、RTP/RTCP、FTP、UPnP、DDNS、NTP、IGMP、ICMP   |
| Network           | Compatible              | ONVIF, GB/T 28181  |
|                   | Security Mode           | Password Protection, Multilevel users access   |
|                   | User Maintenance        | Remote Maintenance can be Achieved Through Network Remote Upgrade  |
|                   | Log Management          | Support Log Management, provides operational Logs, Alarm Logs, records of wrong Log and Query  |
|                   | API Integration         | Supports micro SDHC/SDXC, TF off line storage(optional), Video Clip and Snapshot(optional), Platform support events recording ,second intelligent retrieval and Analysis . |
| Interface         | Communication Port      | 1*RJ45 10M/100M Adaptive Ethernet, Double Channel Fusion and Single IP Output  |
|                   | Power Port              | Supported with RS485 terminal, Optional  |
|                   | Others                  | Alarm in/out, Audio, Storage interface, Analog video Output Ports are Optional   |
| Generally         | Working Temperature     | -40°C~+65°C  |
|                   | Environment Humidity    | < 90%RH (No Condensation)  |
|                   | Static/Surge Protection | TVS6000V Lightning Protection and Surge Protection, Comply with GB/T17626.5 Standard   |
|                   | PTZ Protection Level    | IP66   |
|                   | Power Supply            | AC24V/2.5A or DC12V/3.5A   |
|                   | Watts                   | Normal Operation≤30W, Start-up Peak≤40W  |
|                   | Weight                  | Approximate 7.5Kg  |
| Thermal Detection | Bracket                 | Shock Absorption Bracket, can be Vehicle Mounted with Optional Accessories   |
|                   | Detection range         | Vehicle Detection - 1.5KM, Human Detection - 700 Meters (Thermal Fixed Lens)   |
|                   | Recognize range         | Vehicle Recognize - 600 Meters, Human Recognize - 300 Meters (Thermal Fixed Lens)  |
|                   | Identify range          | Vehicle Identification - 200 Meters, Human Identification - 100 Meters (Thermal Fixed Lens)  |
| Daytime Detection | Long Detection          | Aircraft Detection - 3KM, Large Ships and Boats - 2.5KM (Thermal Fixed Lens)   |
|                   | Detection range         | Vehicle Detection - 2KM, Human Detection - 1KM   |
|                   | Recognize range         | Vehicle Recognize - 900 Meters, Human Recognize - 500 Meters   |
|                   | Identify range          | Vehicle Identification - 500 Meters, Human Identification - 200 Meters   |



# ULTRA TECH SECURITY SOLUTIONS

No. 5, G.V.D. Layout, Opp. St., to Chinmaya Vidyalaya, Subramaniya Puram, Coimbatore - 641002.  
(Near Nehru Vidyalaya, Robertson Road, R.S.Puram)

E-mail: [ultratech.securitysolutions@hotmail.com](mailto:ultratech.securitysolutions@hotmail.com) // [ultratechmahaveerjain@gmail.com](mailto:ultratechmahaveerjain@gmail.com)

Website: [www.ultratechsecuritysolutions.com](http://www.ultratechsecuritysolutions.com)

PH: +91-9443066502 / 9042066502, 0422-3520193

GSTIN NO : 33AAJP1987E1ZQ



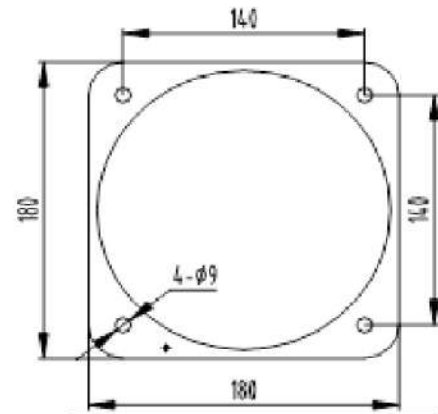
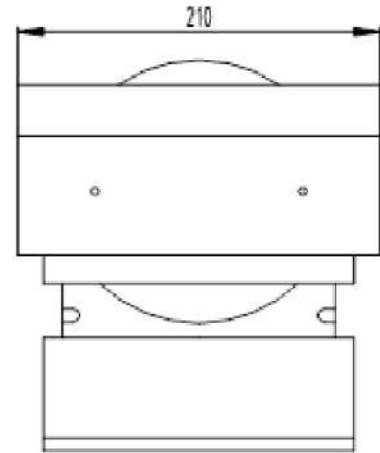
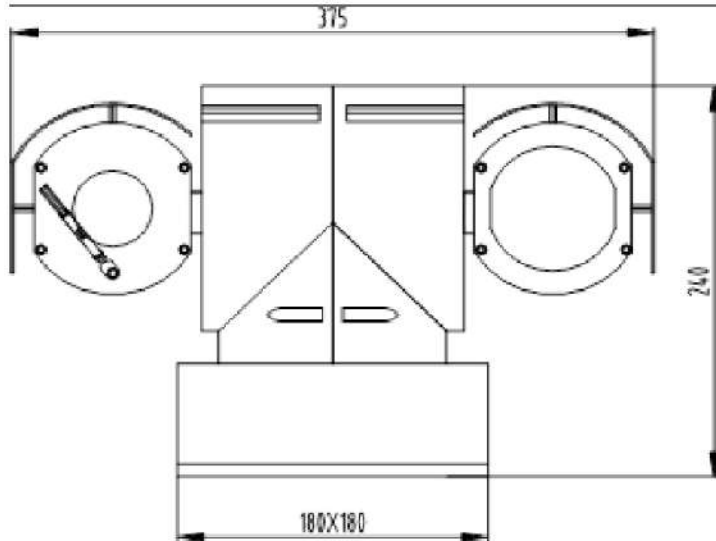



## NO.1, EXPERTS IN METAL DETECTORS & CCTV IN SOUTH INDIA

**Thermal Images:**



Dimensions Diagram:



# ULTRA TECH SECURITY SOLUTIONS

No. 5, G.V.D. Layout, Opp. St., to Chinmaya Vidyalaya, Subramaniya Puram, Coimbatore - 641002.  
(Near Nehru Vidyalaya, Robertson Road, R.S.Puram)

E-mail: [ultratech.securitysolutions@hotmail.com](mailto:ultratech.securitysolutions@hotmail.com) // [ultratechmahaveerjain@gmail.com](mailto:ultratechmahaveerjain@gmail.com)

Website: [www.ultratechsecuritysolutions.com](http://www.ultratechsecuritysolutions.com)

PH: +91-9443066502 / 9042066502, 0422-3520193

GSTIN NO : 33AAJPJ1987E1ZQ



**NO.1, EXPERTS IN METAL DETECTORS & CCTV IN SOUTH INDIA**