



ULTRA-TECH SECURITY SOLUTIONS



Brand: iV-PRO MODEL: iV-DA1W-Q3 Made in Taiwan/Japan



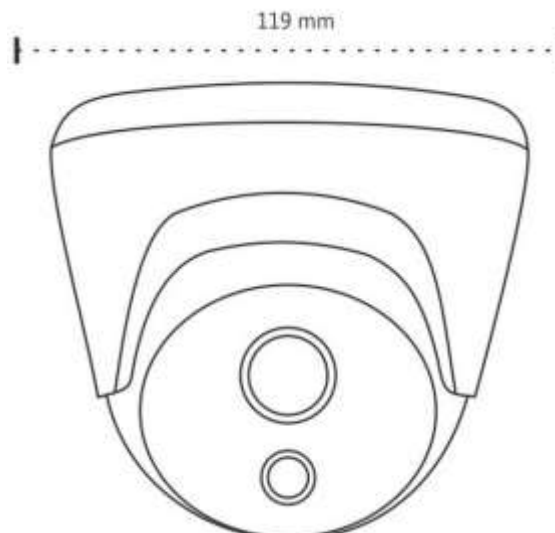
INDOOR ANALOG DOOM ARRAY QUBE HD CAMERA



FEATURES

- Sony IMX II HD 1080p 2.2 Megapixel High Resolution Sensor
- Gigabyte High Quality PCB Circuit Board for Longer Life
- Vivid Color HD Technology for rich and sharp image
- Smart Night Vision IR cutter with Dot Matrix Array Led
- 3 Megapixel Series of Lens for Excellent Image Quality
- View of Lens upto 15-20 meters ; IR Array upto 20 meters
- Auto white balance, Auto Gain and Shutter Control
- Compact High quality structure design for Indoor use

DIMENTION DIAGRAM



TECHNICAL SPECIFICATIONS

Model	iV-DA1W-Q3
Image Sensor	Sony IMX II HD
TV-System	PAL
Image Resolution	1080p HD
Horizontal Resolution	2.2 Megapixel Sensor
Chipset	Sony IMX 223 II HD
Lens	3.6mm Megapixel Lens
Minimum Illuminator	0.1LUX/F1.2, 15 Meters
IR Cut Filter	Yes, Dual Mode
AES	1/50-1/100,000sec (PAL)
WDR	Super WDR
DNR	3D-DNR
OSD	Yes
White Balance	ATW / Manual / Auto
AGC	Auto / Manual / Off
BLC	On / Off
Power Consumption	3W
Power Consumption with IR	10W
Video Output	1.0V
IR Distance	20 Meters
Voltage	DC 12V
Operating Environment	10% - 90%



Applications:

- BANKS
- ATM CENTRES
- INDUSTRIES
- MEETING HALLS
- FACTORIES
- SHOPPING MALLS
- RAILWAY STATIONS
- AIRPORTS
- INSTITUTIONS
- APARTMENTS
- TEE STALLS & BAKERIES
- HOTELS
- TRAFFIC SIGNALS
- ORGANIZATIONS
- SMALL & MEDIUM SHOPS
- JEWELLERY SHOW ROOMS & FACTORIES
- CAR PARKING AREAS
- MANY OTHER PLACES

Contact Us

ULTRA TECH SECURITY SOLUTIONS

ADDRESS: 1275, BHARATHI NAGAR
THADAGAM ROAD, R.S PURAM
COIMBATORE - 641 002

CONTACT NO: +91- 9443066502, 9042066502, 0422- 4346502

EMAIL: ultratech.securitysolutions@hotmail.com ,
ultratechmahaveerjain@gmail.com

Website: www.ultratechsecuritysolutions.com