

# IP-HD Megapixel iP3 POE Series

Model: **iV-CA4R-iP3-POE**



**iV-Pro Model:** iV-CA4R-iP3-POE is a Outdoor 3 Megapixel 1580p Full iP-HD POE Security Camera with the next generation Sony IMX 323 Series image processing solution engineered to provide extremely crisp and clear images at minimal bandwidth. This Series includes a wide range of high performance lens that are built to deliver exceptional video images with true vivid colors and wide and clearer night vision, thanks to the new Array IR technology that promises better results and a longer life span over any Cat6 Cable with iV-Pro's POE Switches which can achieve a distance of up to 100 Meters to 250 Meters including long distance transmission of up to 20 Kilometers using Fiber Optic Cables with iV-Pro s Fiber Port Switches.

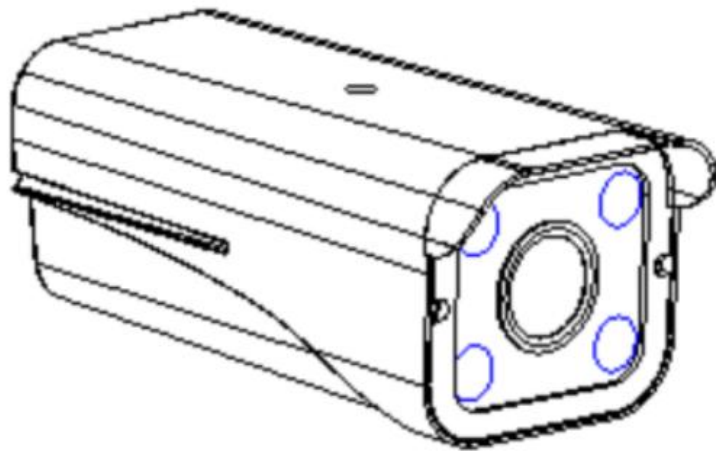
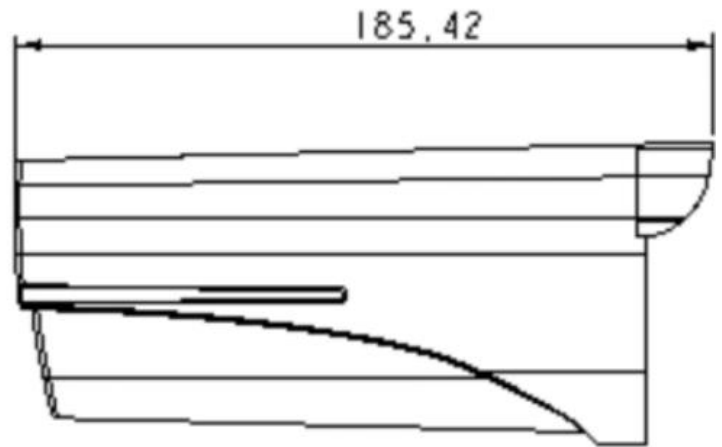
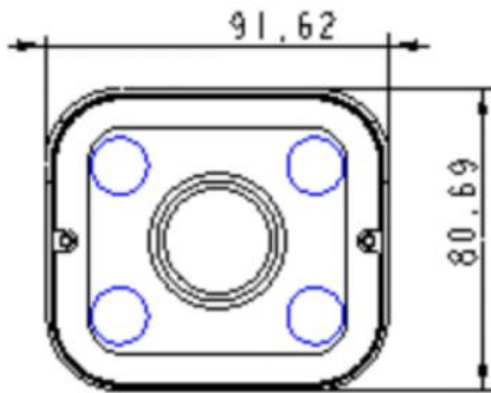
## Features

- 3 Megapixel 1580p Full HD Resolution with Array IR up to 70 Meters
- H.265++ Compression with low bandwidth data for longer recordings
- Flexible choice of 3MP CS Ultra lens from 8mm and 12mm
- Smart 4 HP Array IR technology provides even distribution of IR light
- Plug and Play ONVIF profile Compatible with iV-Pro's range of NVRs
- Accurate color rendering WDR technology for Lightning conditions
- Advanced Face Detection and Human Detection Mobile Alerts
- Outdoor multi-axis ceiling or wall mountable with RJ45 and 12V DC
- Exclusive new designed IP67 weather and water proof metal casing

## Technical Specifications:

Model	iV-CA4R-iP3-POE
Image Sensor	3MP 1/2.8" Sony IMX 323 low illumination CMOS sensor, color 0.01Lux@F1.2, black/white 0.001Lux@F1.2
Resolution	2304*1580 , 3 Megapixels
Network Interface	1*RJ45 10/100M adaptive Ethernet port; Supports RTSP/FTP/PPPOE/DHCP/DDNS/NTP/UPnP
Reliability	7 * 24 hours 65 °C high temperature stable and reliable testing (including mounted machine testing)
Video Compression & Frame Rate	H.265 & H.265++, Supports dual stream 2304*1580(25fps), 1280*720(25fps); sub-stream: 704*576(25fps)
Video Bit Rate	0.1Mbps~6Mbps variable; 1~30f/s variable
Lens Type	3MP 8mm CS Fuji FX Proline Glass Lens
Array or SMT LEDs	4 HP Array IR Led with IR-Cut
Array or SMT illumination Distance	70 Meters
White Balance	Auto / Day / Night / Customized
Back Light Compensation	BLC / WDR
Exposure Mode	Manual / Low noise / Low motion blur / Auto Ranges from 1/3 to 1/10000
Snapshot	Maximum 1 snapshot per second, saved as a JPEG.
Video Setup & Information	Supports parameter setup such as brightness and contrast, Channel title; Time title; Motion detection; Privacy mask
Motion Detection	Sensitivity level ranges from 0 to 100; Activation event: Video storage; Image snapshot; Log; Email function
Security	Multiple User Access levels with password protection
Automatic Electronic Shutter	Auto / Manual (1/3~1/10000 s)
Web Browser	Microsoft® Internet Explorer® 6.0 or later; Mozilla Firefox®; Google Chrome™ with Video Recorder attached
Supported Protocols	IPv4/IPv6, HTTP, HTTPS, SSL, TCP/IP, UDP, UPnP, ICMP, IGMP, SNMP, RTSP, RTP, SMTP, NTP, DHCP, DNS, PPPOE, DDNS, FTP
Smart Phone & Tablet Compatibility	IOS; Android™
Standards	CE, FCC
Day / Night	Auto (ICR) / Color / B&W
Automatic Gain Control	Auto / Manual
Power Consumption	DC12V/2A input, power consumption: 16 Watts (Max)
Operational Temperature & Rating	-4°F to +140°C (-20°C to +60°C), IP66 Casing
Weight & Construction	0.95 kg, Housing: Metal Heavy Casing Molded Color: Off White

## Dimensions & Connection Diagram:



✉ info@ivpro.in 🌐 www.ivpro.in



scan this  
QR Code

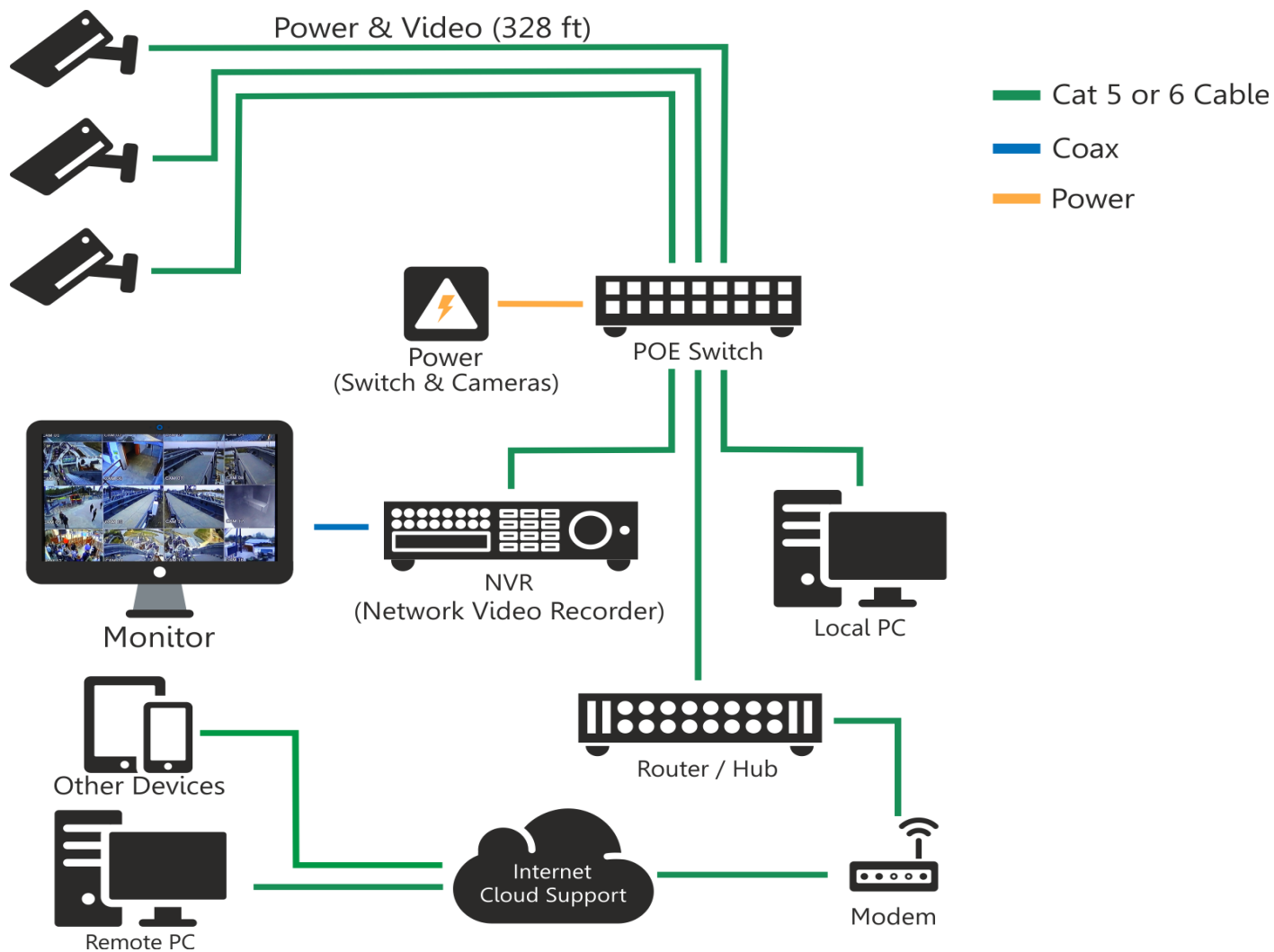
 **Customer Care**  
care@ivpro.in

CE

FC

**RoHS**

Specifications are subject to change without notice.  
iV-Pro is a trademark of iView Technologies Co, India & Hongkong.  
Copyright 2017 iView Technologies Co. All rights reserved.



✉ info@ivpro.in 🌐 www.ivpro.in



scan this QR Code

**Customer Care**  
 care@ivpro.in



**RoHS**

Specifications are subject to change without notice.  
 iV-Pro is a trademark of iView Technologies Co, India & Hongkong.  
 Copyright 2017 iView Technologies Co. All rights reserved.